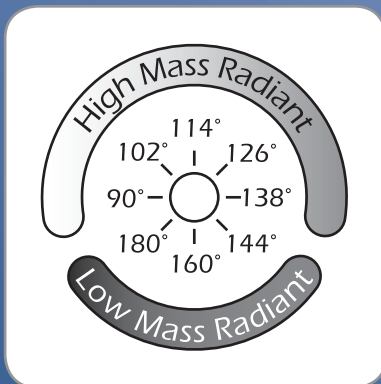


Electro-Boiler™

TS Series

Our new TS (Temperature Sensing) Series boiler combines the reliability and performance of our previous boiler models with many new features such as:

- ▶ Simple front panel temperature selector
- ▶ New cabinet design
- ▶ High mass/low mass element regulation
- ▶ Boiler status lights
- ▶ ASME/CSA listings
- ▶ Front access serviceability
- ▶ Dual boiler option
- ▶ Quiet operation



Simple dial selector regulates elements based upon temperature, high or low mass selection, or outdoor reset reference point

Boiler Status

- ⊘ 190°F Auto. Reset
Rétablissement autom., à 85 °C
- ⊘ Boiler Power
Courant d'alimentation de chaudière
- ⊘ Utility Off-peak
Période creuse de l'alimentation du service publique
- ⊘ Boiler Heat Call
Demande de chauffage de chaudière

Monitor lights on front panel



Electro
Providing Comfort Through
Efficient Energy Solutions

TS Series, New Features

SPECIFICATIONS

OUTLET TEMPERATURE SENSING BOILER

| Model | Configuration | Breaker Sizing | MBtu/h | kW |
|---------|--|----------------|--------|------|
| EB-S-27 | 4 Stg - 4.5 kW, 4.5 kW, 9 kW, 9 kW | 60,60,60 | 92 | 27 |
| EB-S-23 | 4 Stg - 4.5 kW, 4.5 kW, 4.5 kW, 9 kW | 60,60,30 | 77 | 22.5 |
| EB-S-18 | 4 Stg - 4.5 kW, 4.5 kW, 4.5 kW, 4.5 kW | 60,60 | 61 | 18 |
| EB-S-13 | 3 Stg - 4.5 kW, 4.5 kW, 4.5 kW | 60,30 | 46 | 13.5 |

OUTLET RESET WARMFLO SENSING BOILER*

| Model | Configuration | Breaker Sizing | MBtu/h | kW |
|----------|---|----------------|--------|------|
| EB-WO-27 | 4.5 kW modulating, 4.5 kW, 9 kW, 9 kW | 60,60,60 | 92 | 27 |
| EB-WO-23 | 4.5 kW modulating, 4.5 kW, 4.5 kW, 9 kW | 60,60,30 | 77 | 22.5 |
| EB-WO-18 | 4.5 kW modulating, 4.5 kW, 4.5 kW, 4.5 kW | 60,60 | 61 | 18 |
| EB-WO-13 | 4.5 kW modulating, 4.5 kW, 4.5 kW | 60,30 | 46 | 13.5 |

3-PHASE, 208V, WARMFLO CONTROL, OUTLET RESET BOILER*

| Model | Configuration | Breaker Sizing | MBtu/h | kW |
|------------|---------------------------------------|----------------|--------|------|
| EB-WO-27-2 | 4.5 kW modulating, 4.5 kW, 9 kW, 9 kW | 100 | 92 | 27 |
| EB-WO-13-2 | 4.5 kW modulating, 4.5 kW, 4.5 kW | 50 | 46 | 13.5 |

*EB-WA-** (non-Outdoor Reset)

FEATURES

TEMPERATURE SENSING CONTROLLER

- Supply water sensing
- Regulates to front panel selected temperature
- Staging indicator lights

ELEMENT POWER RELAYS

- DC relays
- No hum, silent contact
- One per element

WARRANTY

- Parts - 2 years
- Elements and vessel - 15 years

CABINET

- Improved lines, pleasant appearance
- All major parts are accessible from the front
- Power wiring knockout at the top and right side
- Manual reset limits and vessel top, accessible from front hinged door

DUAL BOILER OPTION (EB-S-SB)

- Standard on EB-W*-** Series
- Standby boiler control kit is simply a plug-in connection
- Standby override switch
- Isolated contact, brown wires for standby boiler
- Indicator lights

FACTORY ASSEMBLED

- Supply temperature/pressure gauge is installed
- Supply temperature sensor is installed
- Totally pre-wired

FIELD CONNECTIONS

- 240 heating power - multi or single-feed options
- Thermostat or end switch connection (R and W)
- Pump contact, 10A
- Utility load control (traditional blue wires)

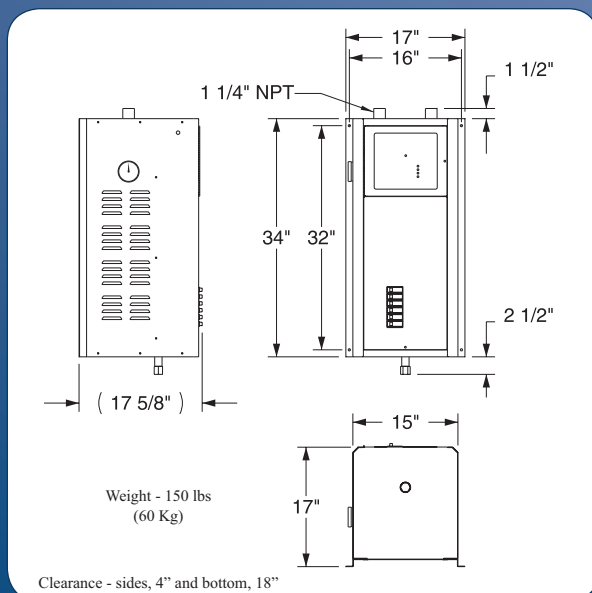
OUTDOOR RESET (EB-WO-** SERIES)

- Targets a higher supply water temperature based on a lower outdoor temperature, or will adjust to maintain a cooler supply temperature as the temperature outside rises

ZONE CONTROL OPTIONS - TS SERIES

- EB-ZTS-1 - 4-zone control - priority zone, dual temperature
- EB-ZTS-2 - slave for additional 4 zones plus 40VA transformer
- EB-Z2P - dual temperature pump control, one high temp, one low temp

DIMENSIONS



Specifications subject to change without notice, all rights reserved.

Providing Comfort Through Efficient Energy Solutions



ELECTRO INDUSTRIES, INC.

2150 West River Street, PO Box 538, Monticello, MN 55362
763.295.4138 • 800.922.4138 • fax 763.295.4434
sales@electromn.com • www.electromn.com

Two-year parts warranty from date of original installation.

BL501